

# MANUAL CALL POINT W/SELFVERIFY, WEATHERPROOF - BF-510WP-H

## Interactive fire detection systems Product Datasheet

### Features

- For outdoor use
- Weatherproof
- Degree of protection: IP52 (66)
- With SelfVerify function for reduced maintenance/testing and increased reliability
- Short-circuit isolator in each unit
- Maximum 3-second response time
- Automatic addressing
- Designed to meet the requirement of the major maritime classification societies
- Approved according to EN 54-11 and EN 54-17

### Description / Application

BF-510WP-H is a manual call point for outdoor use. The call point has been designed for use with Autronica's interactive fire detection systems, and it comprises the SelfVerify function. This function ensures the highest grade of reliability and the lowest degree of manual testing, because all units comprising this function are automatically self-tested once every 24 hours.

The high IP degree of the enclosure makes the call point suitable for outdoor applications.

The call point must be installed according to local regulations, which normally means along escape routes, landings and exits.

### Operating method

- Press white plastic element. Resettable by means of dedicated test key.
- Optional: Break glass element. Resettable by mounting new glass element.

**SelfVerify:** the call point's ability to initiate alarm is regularly checked.



### Installation

The back box is provided with three knockouts for M20 cable glands, two at the top and one at the bottom.

### Versions

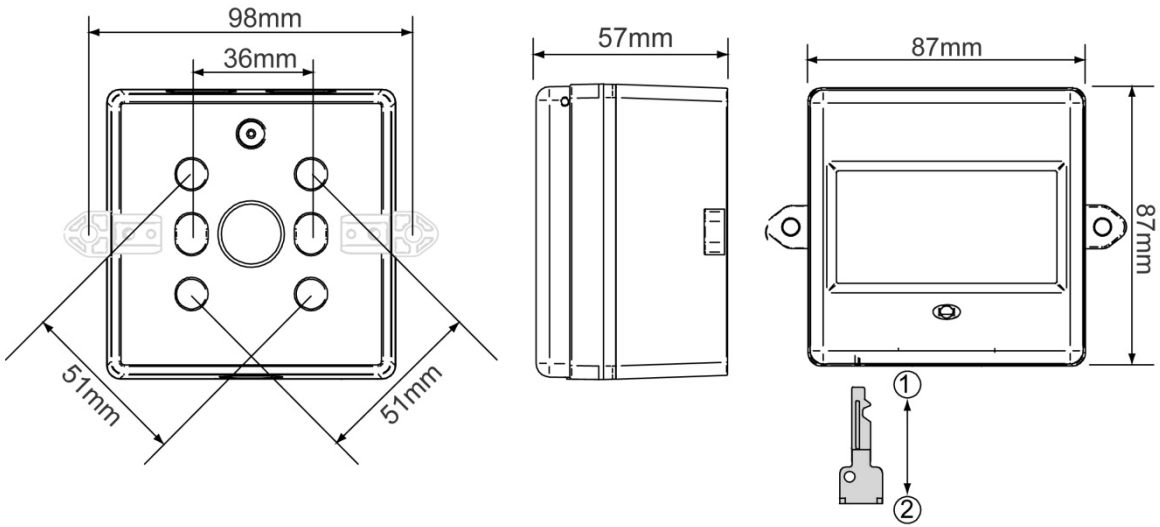
- BF-300V2\*  
Manual call point with SelfVerify - standard version
- BF-510WP-H  
Manual call point with SelfVerify, weatherproof – high current version
- BF-510WP-HM  
Manual call point with SelfVerify, weatherproof – high current version for maritime application

\*see separate datasheet

Product Name	Part number	Description
BF-510WP-H	116-BF-510WP-H	Manual call point with SelfVerify. High current, weatherproof
	116-BF-510WP-HM	Manual call point with M20 PG16 cable glands and robust mounting plate pre-mounted
<b>Accessories</b>		
	116-4860-011.0100	Polycarbonate cover (IP66)
	116-6571-011.1920	Cable gland M20x1,5
	116-6531-006.1920	Gland back nut M20x1,5
	116-BFG-3	Glass element

<b>Technical specifications</b>	
Weight	200 g
Material	ABS
Colour	Red
Voltage	16 – 26 VDC
Current consumption	
Stand by:	0,3mA
Maximum current on detection loop	400mA
Environm. requirement	EN 54
CPD certificate	0333-CPD-075245
Degree of protection	IP66 with cover IP52 without cover
Working temperature	- 40 to + 70 °C
Storage temperature	- 55 to + 70 °C
Cable inlets	3 x M20
Service	Replace if faulty
Approvals	<a href="http://www.autronicafire.com">www.autronicafire.com</a>

## Dimensions



## Connections

