



116-BBL-100
116-BBL-100/IP



	116-BBL-100	116-BBL-100/IP
	17 ~ 25VDC	
	4.6mA Max	
	0.5mm ² ~ 2.5mm ²	
	-15°C ~ +70°C*	-25°C ~ +70°C*
	ABS / PC	
	Type A / IP32*	Type B / IP66*
	1Hz**	

	17 ~ 25VDC	
	4.6mA Max	
	0.5mm ² ~ 2.5mm ²	
	-15°C ~ +70°C*	-25°C ~ +70°C*
	ABS / PC	
	Type A / IP32*	Type B / IP66*
	1Hz**	

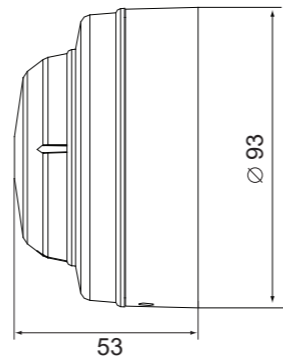
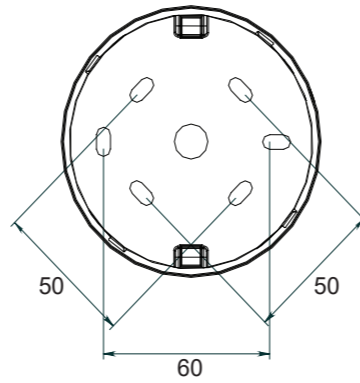
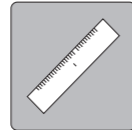
Product exceeds minimum requirements of EN54-17
 Le produit dépasse les exigences minimum de EN54-17
 Das Erzeugnis erfüllt die Mindestanforderungen von EN54-17
 Il prodotto supera i requisiti minimi previsti dalla norma EN54-17
 Product overtreft de minimale vereisten van EN54-17
 El producto excede los requisitos mínimos de la norma EN54-17
 Produkten överträffar minsta krav enligt EN54-17
 Parametry techniczne produktu przekraczają minimalne wymagania normy PN EN54-17

Isolator Specification ref: 082/4.2/005 Rev 1.3

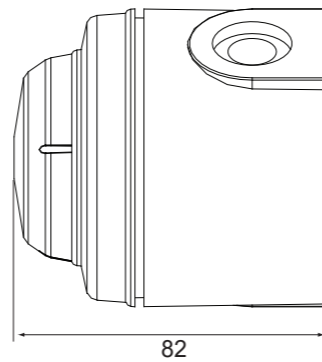
*Non EN54 certified, manufacturers declaration.

**The beacon is for visual indication only.

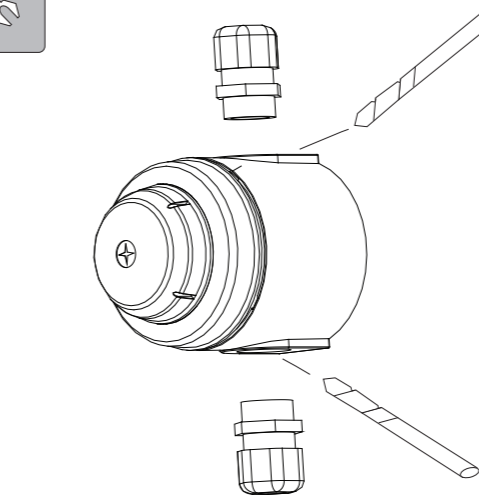
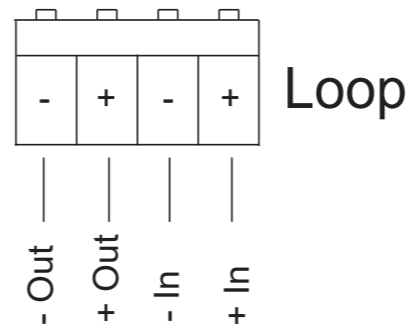
Do not use where a EN54-23 compliant VAD is required.



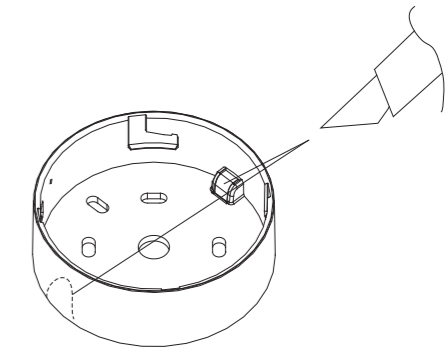
116-BBL-100



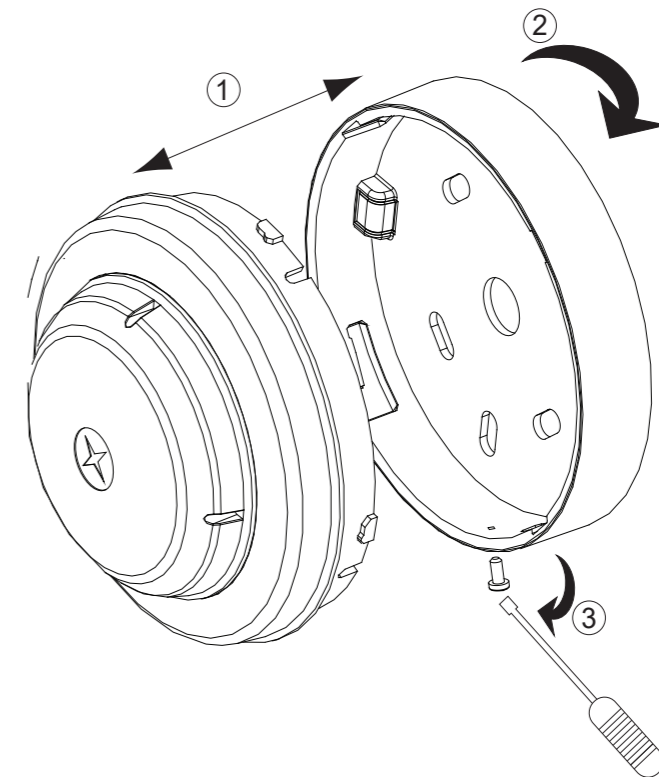
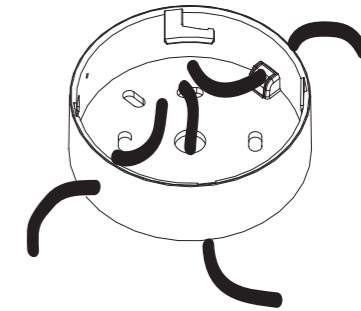
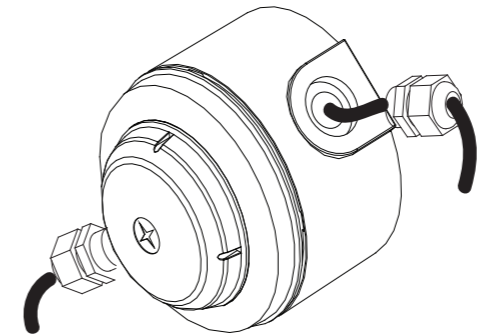
116-BBL-100/IP



116-BBL-100/IP



116-BBL-100



Supplier / Customer Support
 Autronica Fire and Security
 N-7483 Trondheim, Norway
 See Website - www.autronicafire.no

Manufacturer: Eaton Electrical Products Ltd
 Cwmbran, S. Wales. UK - www.eaton.com

25-9436-G