



Med sin lave profil egner Askari elektronisk sirene seg spesielt for varsling i hotellrom o.l. Den tilfredsstiller alle krav til lokal varsling i overnattingsrom.

Askari kan monteres på standard veggboкс for skjult anlegg. Til åpen montasje benyttes en spesiell underlagsboкс.

- Lav profil.
- Pulserende eller fast alarmsignal.
- Volumkontroll.
- Kan benyttes direkte på overvåkede alarmklokkekurser.
- 32 valgfri signaltoner

The Askari meets growing demand for local room sounders, which are a particular trend with users and specifiers of systems designed to protect hotel bedrooms. Askari is the ideal sounder to meet the requirements of BS5839, Part 1, with regard to sound output in sleeping risks.

- *Ultra-slim profile designed for unobtrusive installation.*
- *Sweeping or continuous tone.*
- *Flush or surface cabling is accommodated through a choice of standard single-gang flush or surface wall boxes (minimum wall box depth of 36 mm to allow wiring termination clearance).*
- *32 tones user selectable*

Dimensjoner/Dimensions

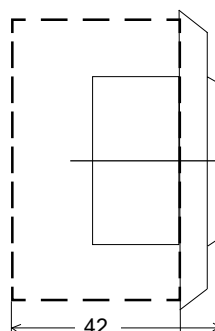
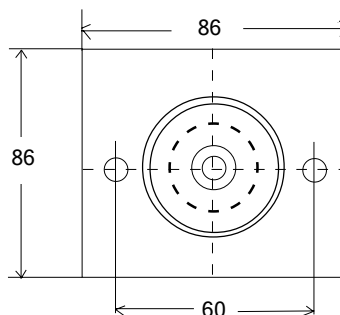
HxBxD/HxWxD	: 86 x 86 x 42 mm
Vekt/ Weight	: 109g
Materiale / Materials	: ABS plast / ABS plastic
Farge / Colour	: Rød eller hvit / Red or white
Lydnivå / Sound Output	
24V DC	: 97dBA/1m
Arbeidsspenning / Operating Voltage	: 9 - 28V DC
Strømforbruk / Current Consumption	
24V DC	: 18mA
Temperatur / Operating temperature	: - 25 til +70°C
Beskyttelsesgrad / Degree of protection	: IP 54

Bestillingsnr.: / Ordering no.:

Askari, 12/24V, hvit/white : 7770-009.0000
 Askari, 12/24V, rød/red : 7770-009.0001

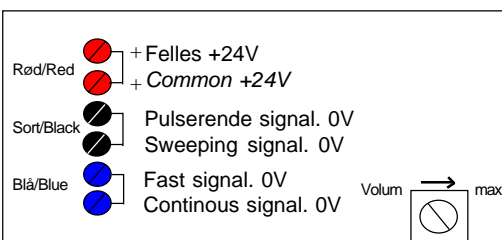
Underlagsboks inkludert / Surface wall box included.

Dimensjoner / Dimensions Tilkobling / Connection:



Underlagsboks (striplet)

Surface wall box (dotted line)



Med forbehold om endringer uten forutgående varsel / Subject to changes without notice.

Your local dealer:

Autronica Fire and Security AS

Fire and Security, Trondheim, Norway. Phone: + 47 73 58 25 00, fax: + 47 73 58 25 01.

Oil & Gas, Stavanger, Norway. Phone: + 47 51 84 09 00, fax: + 47 51 84 09 99.

Visit Autronica Fire and Security's Web site: www.autronicafire.com