

# SOUNDER/OPTICAL INDICATOR INDOOR ADDRESSABLE BBQ-230/CL

## Interactive fire detection systems Product datasheet

### Features

- Sounder/optical indicator intended for indoor use
- Connects directly to the detection loop
  - no extra wiring needed
- Automatic addressing
- Configurable sound pattern
- Used with interactive fire detection systems
- High/low volume setting
- Short circuit isolator in each unit

### Application/Description

BBQ-230/CL is an addressable sounder/indicator that is connected to the detection loop. The standard version is designed for indoor applications (degree of protection IP42) requiring both audible and visual indication of alarms.

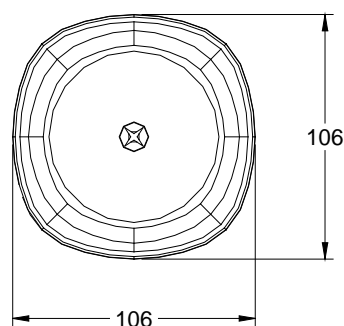
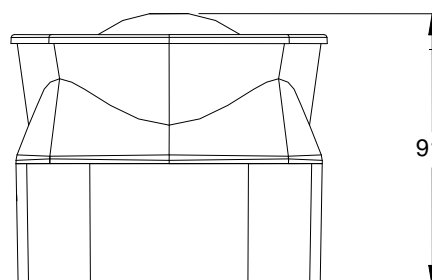
The sounder/indicator provides different advanced sound patterns according to configuration.

All sounders within the same loop will have synchronized sound outputs, so two sounders located near each other will be perceived as one.

The maximum number of sounders/indicators on a detection loop must be calculated according to the limitation of the system in question.



### Dimensions



Technical specifications	
<b>Appearance</b>	
Weight	207g
Main body colour (RAL no.)	Red 21-0301
Lens colour	Translucent clear
Finish	Polished
Material type	ABS FR and PC
<b>Installation</b>	
Total cable qty / type / size	4 x 0.5 to 2.5mm <sup>2</sup> MICC
I.P. rating	IP42
<b>Operating conditions</b>	
Voltage range ( /s )	17 - 25VDC
Current - Alarm total	Indicator only: 4,68mA Sounder LP: 2,18mA Sounder HP: 4,44mA Peak current: 9mA Sounder HP + indicator: 8,6mA
Current - Quiescent	330uA
Temperature range	-15 to +70 C
Humidity range	Relative humidity 0% to 90% non-condensing
<b>Sound performance</b>	
Operational performance	Ref. AFS doc. BB-212
SPL @ 1m	Max=100dB(A) +/-3 (17-25V)
Low volume setting	Low Volume=90dB +/-3
Volume selection method	Configurable
Synchronisation	Yes - Panel control
Tones list / Details	See configuration manual for panel
Tone selection method	Configurable
<b>Light performance</b>	
Flash power / light output	2 candela on axis @ 24V
Spatial distribution	100% on axis / visible sides
Flash rate /s	1Hz
Synchronisation	Yes - Panel control
Source / colour	LED / White
<b>Address function</b>	
Address setting method	Software

Part number	Description
116-BBQ-230/CL	Sounder/Optical indicator w/Base