



Adresserbar / Addressable

Anvendelse:

Manuell melder med tett kabelinnføring.

Prinsipp:

Gir alarm når glasset knuses. Tilbakestilles når nytt glass blir satt inn. Kan alarmtestes ved hjelp av en spesialnøkkel.

Versjoner:

BF-31 Standardutgave.
BF-31/EXN EEXn manuellmelder for bruk i zone 2

Application:

Manual call-point with waterproof cable inlets.

Principle:

Gives alarm when the glass is broken. Reset when a new glass is mounted. Can be tested by means of a special test-key.

Versions:

BF-31 Standard version.
BF-31/EXN EEXn manual call-point for use in zone 2

Tekniske data/Technical data: BF-31



Dimensjoner / Dimensions:
(H x B x D) / (H x W x D) : 123 x 160 x 87 mm

Vekt / Weight : 1000 g

Materiale / Materials : Rødfarget korrosjons-
beskyttet silumin /
Red corrosion proof
silumin

Spenning / Voltage : 14 V DC \pm 2 V

Strømforbruk /
Current consumption
a) hvilestrøm / stand-by : 0,1 mA
b) signalstrøm / signal : 35 mA (normal)
> 45 mA (at alarm)

Miljøkrav /
Environment requir. : Iflg. BS-5839 /
Acc. to BS-5839

Beskyttelsesgrad /
Degree of protection : IP 44D

Arbeidstemperatur /
Working temperature : - 30°C to + 70°C

Fuktighet (ikke kond.) /
Humidity (non-condensing) : Max. 95 % R.H.

Kabelinnføring / Cable inlets : 2 x PG-16

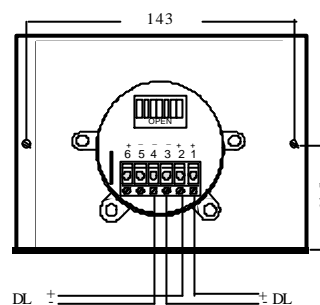
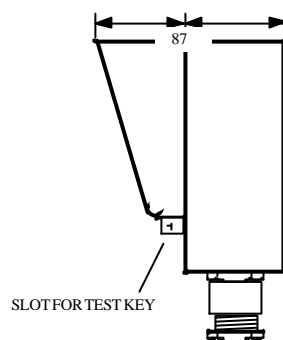
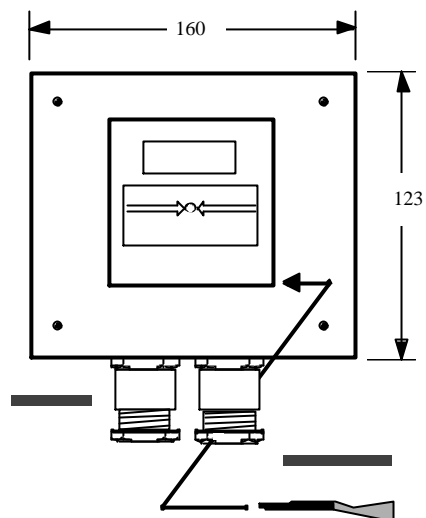
Vedlikehold / : Normalt ingen /
Maintenance Normally none

Service / Service : Utskiftes ved feil /
Replace if faulty

Godkjenninger /Approvals:

Certificate for BF-31/EXN: 03ATEX221X

Dimensjoner og tilkobling /
Dimensions and connection:



Tilpasn. / adr. enhet type BNB-35 /
Interface / address unit type BNB-35

DL Detektorsløyfe / Detector loop

Med forbehold om endringer uten forutgående varsel / Subject to changes without notice.

Autronica Fire and Security AS

Fire and Security, Trondheim, Norway. Phone: + 47 73 58 25 00, fax: + 47 73 58 25 01.

Oil & Gas, Stavanger, Norway. Phone: + 47 51 84 09 00, fax: + 47 51 84 09 99.

Autronica Industrial Ltd., Watford, United Kingdom. Phone: 1923 23 37 68, fax: 1923 22 55 77.

Visit Autronica Fire and Security's Web site: www.autronicafire.com