

# Manual call point CXL/BF-24L

Conventional fire detection systems  
Product datasheet

## Features

- Proven design approved to EN 54-11
- Secure and convenient clip fit cover
- Use of glass or plastic resettable element without modification
- Superior LED alarm identification
- For outdoor use

## Applications

Manual call point for outdoor use.

The call point must be installed according to local regulations, which normally means along escape routes, landings and exits.

## Principle

Gives alarm when the glass is broken. Reset when a new glass is mounted. Can be tested by means of a special test key. Optional re-settable plastic element is included. This element can be re-used after alarm activation. Reset with test key.

## Versions

CXL/GP/R/BB/WP *Standard Version*

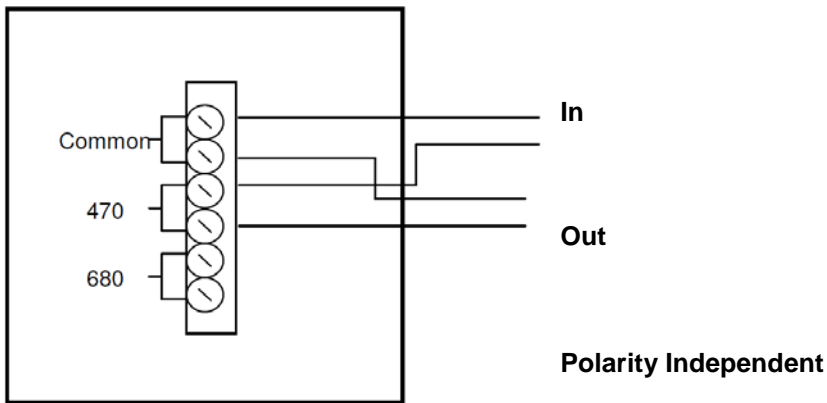


## Technical specifications

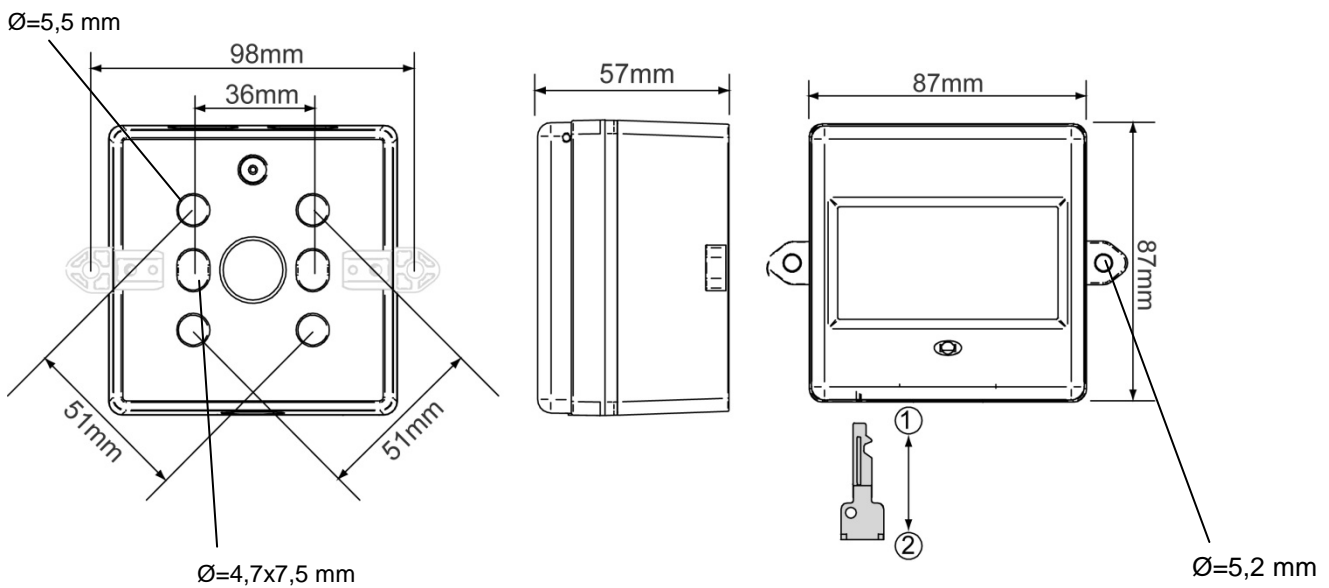
Weight	200 g
Materials	ABS FR
Colour	Red
Voltage	14 VDC +/- 2 V
Current consumption	
Normal	0 mA
Alarm	>30 mA
Environmental requirements	Acc. to EN 54-11
CPD certificate	0832-CPD-0744
Degree of protection	IP66
Working temperature	- 25°C to + 55°C
Humidity (non-condensing)	Max. 95% RH
Maintenance	Normally none
Service	Replace if faulty

Part number	Description
116-CXL/BF-24L	MCP FOR BX-10/BX-40, IP66
<b>Accessories</b>	
116-4860-011.0100	Polycarbonate cover
116-CXBZ	BEZEL
116-BFG-3	Glass element
116-6571-011.1920	Cable gland M20x1,5
116-6531-006.1920	Gland back nut M20x1,5

**Connections**



**Dimensions**



**AUTRONICA FIRE AND SECURITY AS**

Head office, Trondheim, Norway Tel: +47 73 58 25 00, fax: +47 73 58 25 01, e-mail: info@autronicafire.no  
 Oil and Gas division, Stavanger, Norway Tel: +47 51 84 09 00, fax: +47 51 84 09 99  
 Maritime division, Spikkestad, Norway Tel: +47 31 29 55 00, fax: +47 31 29 55 01