

# SOUNDER/BEACON – FLASHNI

## Product Datasheet

### Features

- Compact design
- Available with deep or shallow base for surface wiring
- IP65 protection with deep base
- High efficiency Fresnel lens for maximum light output
- Automatic sounder synchronization
- Volume control as standard
- Conform to CPD EN 54-3 and A1

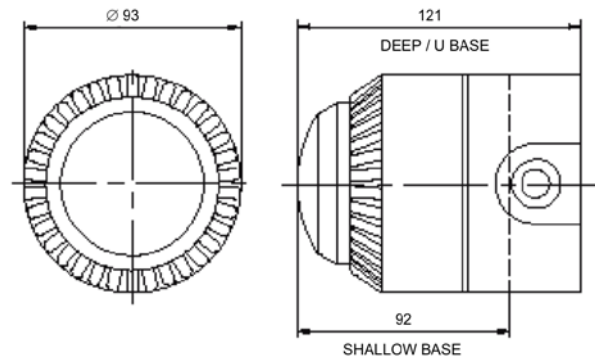
### Description

Providing an audio-visual warning, the Flashni combines the features of a Roshni electronic sounder with a fully integrated Xenon beacon. The result is an attractively designed unit for installation in internal or external locations where a combination of high sound output and visual indication is required.

### Applications

- Retirement homes
- Noisy manufacturing areas

### Dimensions



Part number	Description
116-7780-004.0001	Flashni, red, red lens, shallow base
116-7780-004.0002	Flashni, red, red lens, deep base
116-7780-004.0003	Flashni, white, blue lens, shallow base
116-7780-004.0004	Flashni, red, clear lens, shallow base
116-7780-004.0010	Flashni, red, blue lens, deep base



Technical specifications	
Operating voltage range	18 – 30 VDC
Current consumption	68mA at 24 VDC
Beacon	1W
Flash rate	60/min
Operating temperature	-10°C – +55°C
Construction	Lens: Polycarbonate Base: ABS
Ingress protection	Shallow base: IP54 Deep base: IP65*
Weight	Shallow base: 290 g Deep or U base: 325 g
Sound output	101dB/1m (tone 3)
Tones	Preset to tone 3 Other tones on request

\* To obtain IP65, use suitable cable gland

